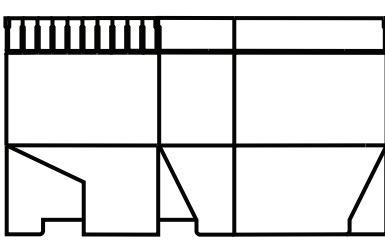
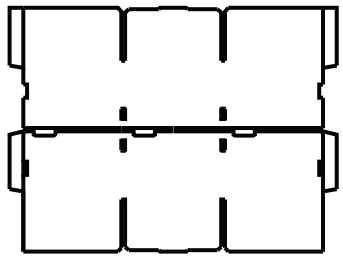


30 CELL ASSEMBLY INSTRUCTIONS

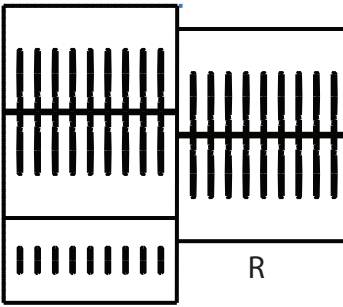
PARTS LIST



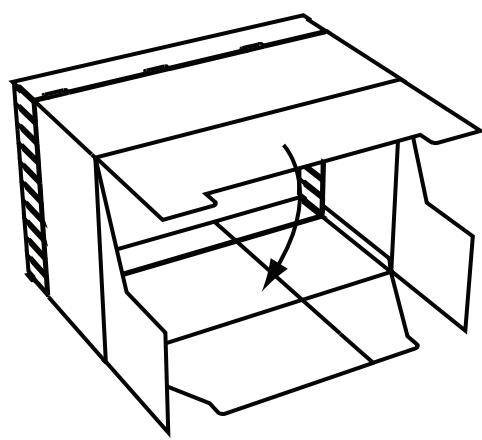
BASE (1)



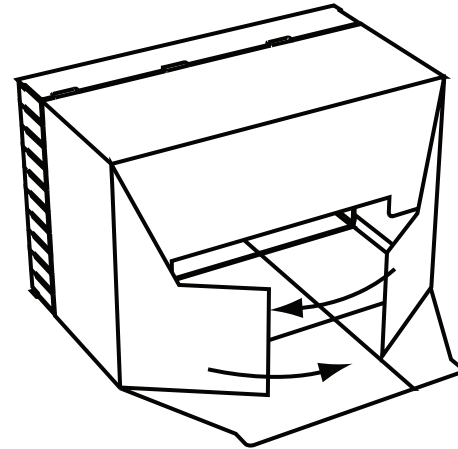
SHELVES (9)



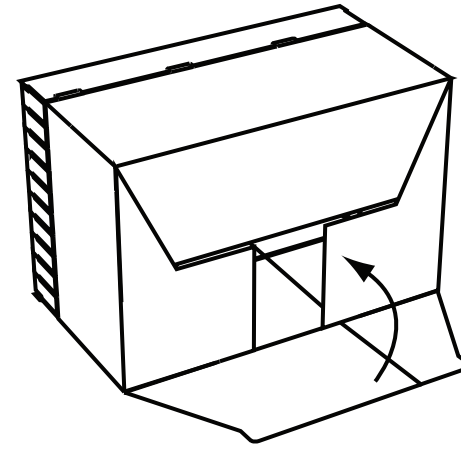
DIVIDER SET (1)



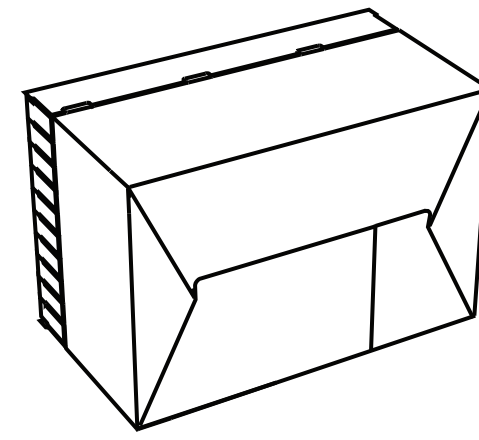
1. Square up the BASE with the BACK of it facing you. Fold the TOP FLAP over.



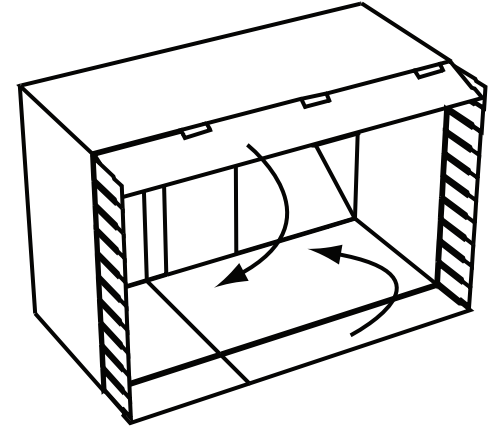
2. Fold the SIDE FLAPS over.



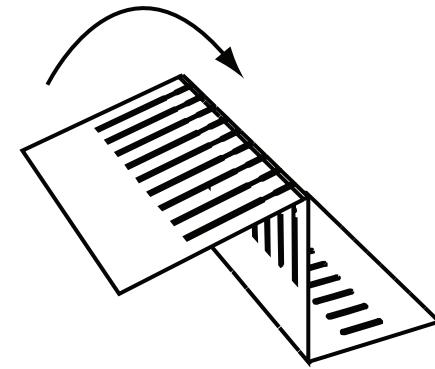
3. Fold the BOTTOM FLAP over and tuck it under the TOP FLAP to lock it together.



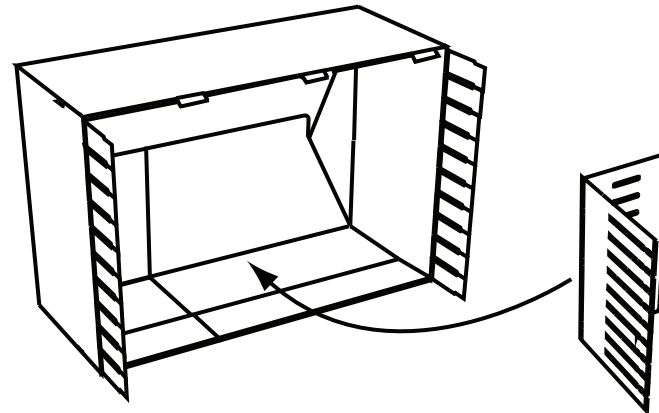
ASSEMBLED BACK OF THE BASE



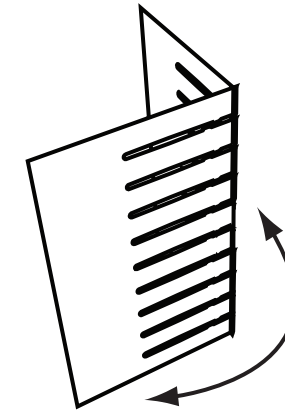
4. On the FRONT of the BASE, fold inward the TOP & BOTTOM FLAP."



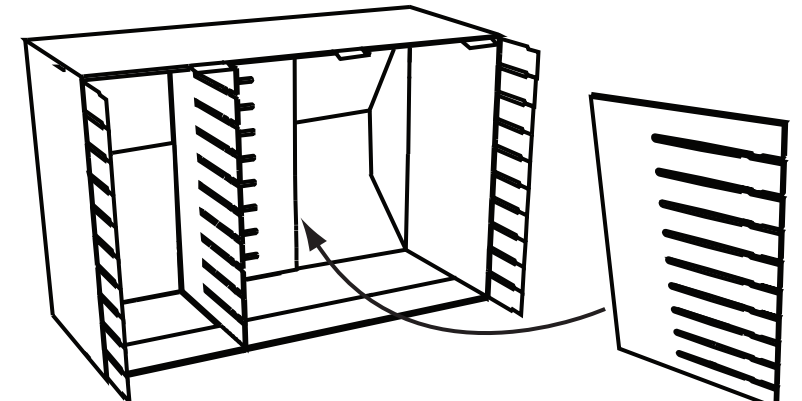
5. Locate DIVIDER set. Tear pieces apart on perforated line. Square up the LEFT DIVIDER by folding it inward.



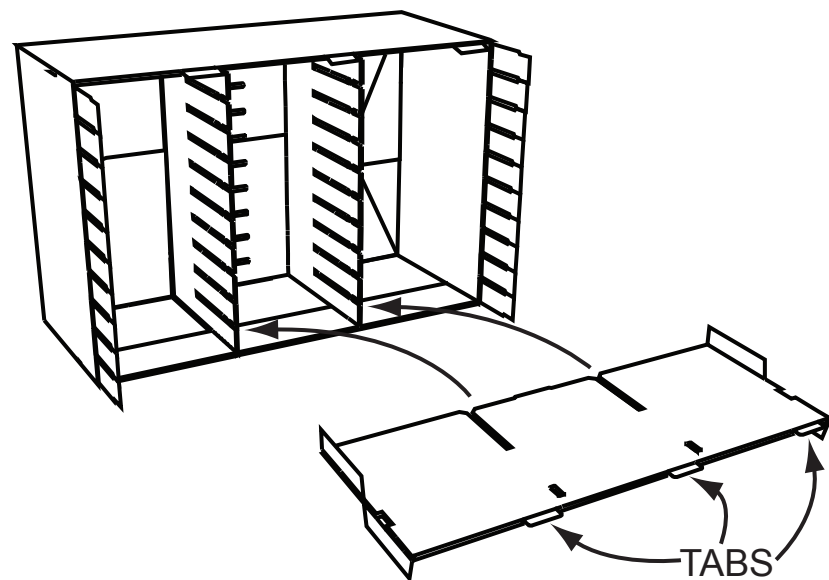
6. Place the LEFT DIVIDER into the middle of the ASSEMBLED BASE.



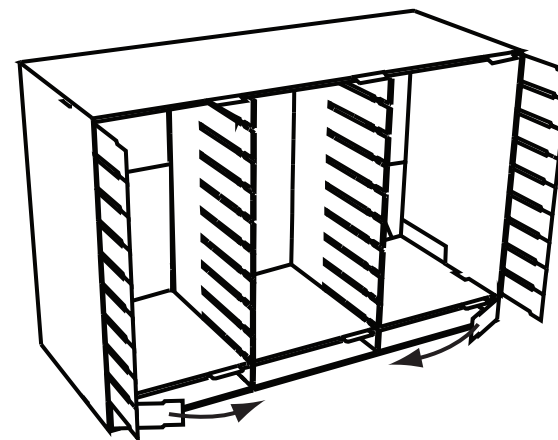
7. Fold inward the RIGHT DIVIDER.



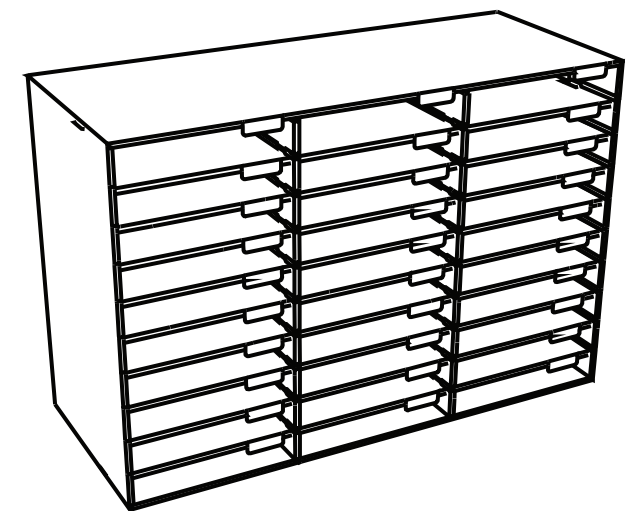
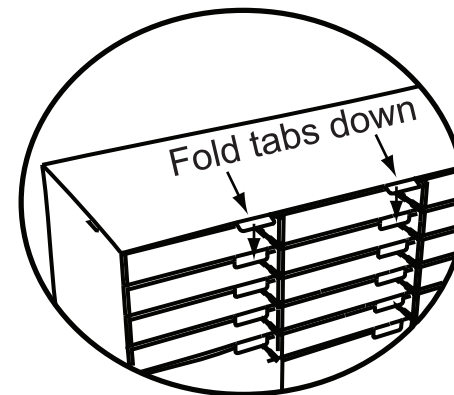
8. Place the RIGHT DIVIDER into the middle of the ASSEMBLED BASE.



9. Fold inward the SHELF then back-fold the small side flaps. Insert a SHELF into the bottom slots of the DIVIDER with the printed side of the TABS facing up.



10. Fold the bottom SIDEWALLS of the BASE inward. Insert the other SHELVES, folding inward the SIDEWALLS as before. Fold TABS on top of TRAY and SHELVES down as shown on the above right.



ASSEMBLED
30 CELL DISPLAY