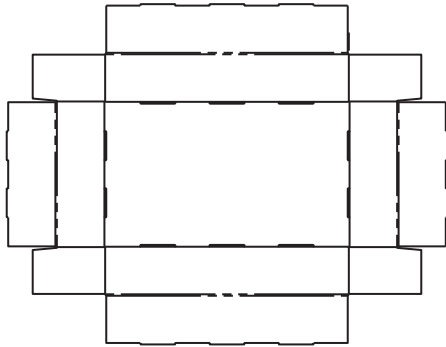
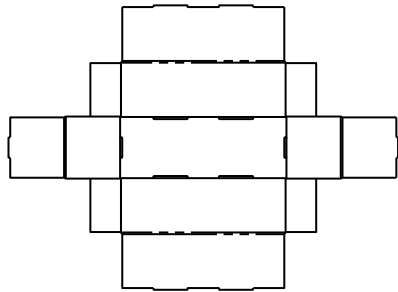


ACTIVITY TRAY ASSEMBLY INSTRUCTIONS

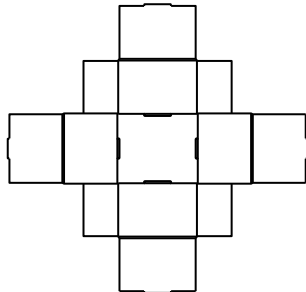
PARTS LIST



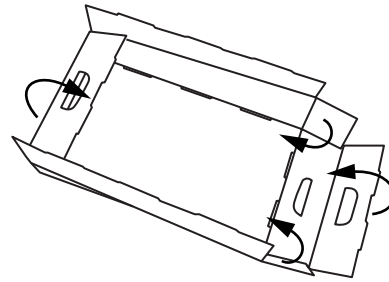
MAIN TRAY (1)



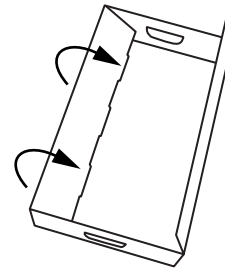
LARGE TRAY (1)



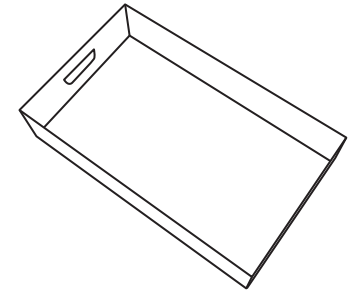
SMALL TRAY (6)



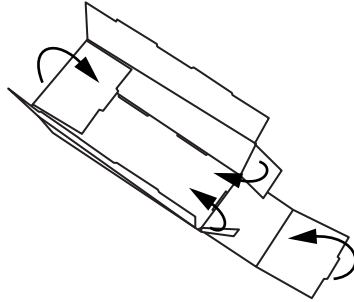
1. Locate the MAIN TRAY. Fold up the short sides and fold the interior flaps in to meet in the middle, fold the top flap over. Lock into place. Repeat for other side.



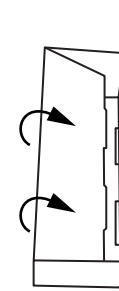
2. Fold the long flaps of the MAIN TRAY inward and lock them into place. Repeat for other side.



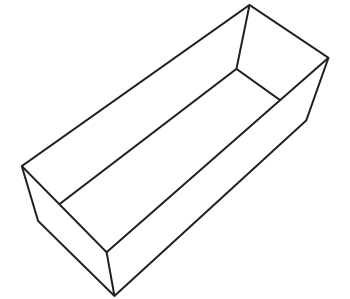
3. The MAIN TRAY should look like the picture above. Set aside.



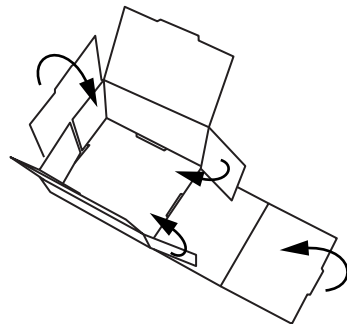
4. Locate the LARGE TRAY. Fold up the short sides and fold the interior flaps in to meet in the middle, fold the top flap over. Lock into place. Repeat for other side.



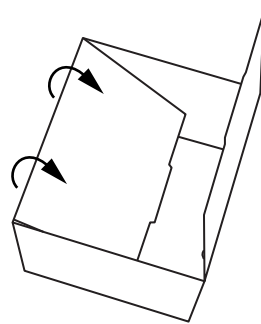
5. Fold the long flaps of the LARGE TRAY inward and lock them into place. Repeat for other side.



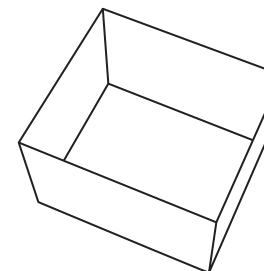
6. The LARGE TRAY should look like the picture above. Set aside.



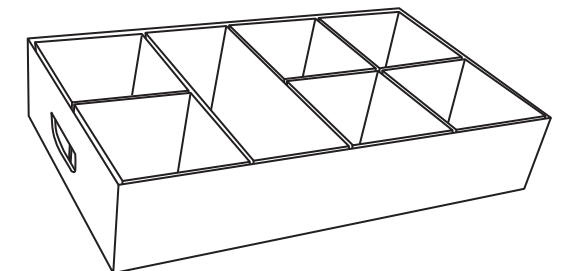
7. Locate the SMALL TRAY. Fold up the short sides and fold the interior flaps in to meet in the middle, fold the top flap over. Lock into place. Repeat for other side.



8. Fold the long flaps of the SMALL TRAY inward and lock them into place. Repeat for other side.



9. The SMALL TRAY should look like the picture above. Repeat Steps 7 and 8 for remaining SMALL TRAYS. There should be a total of 6.



10. Place the completed LARGE TRAY and SMALL TRAYS into the MAIN TRAY. The assembled ACTIVITY TRAY should resemble the image above.