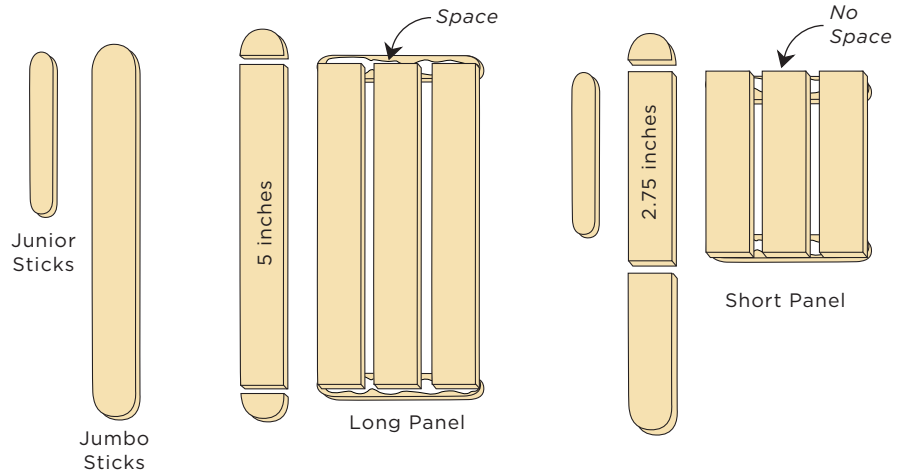


Craft Stick Crate

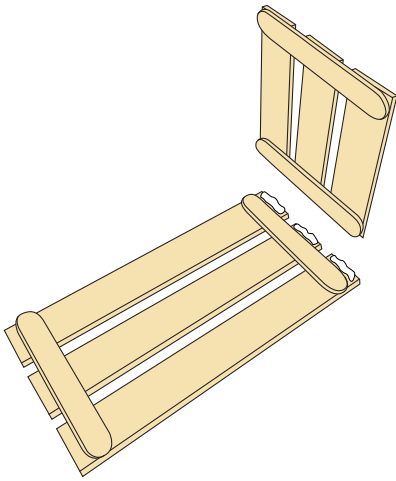
These little wooden crates could be the perfect holder for a homemade gift



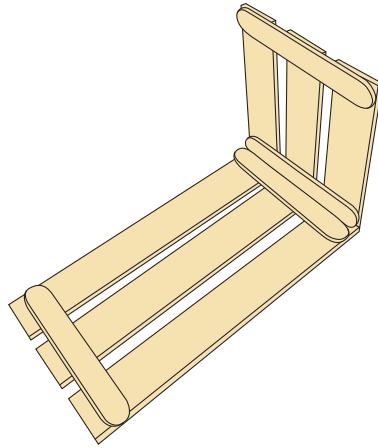
MATERIALS NEEDED: Creativity Street Craft Sticks, (8) junior and (15) jumbo size, utility scissors, white craft glue

1. Cut three jumbo sticks to 5" long. Glue to mini sticks as shown, with a little space left on edge.

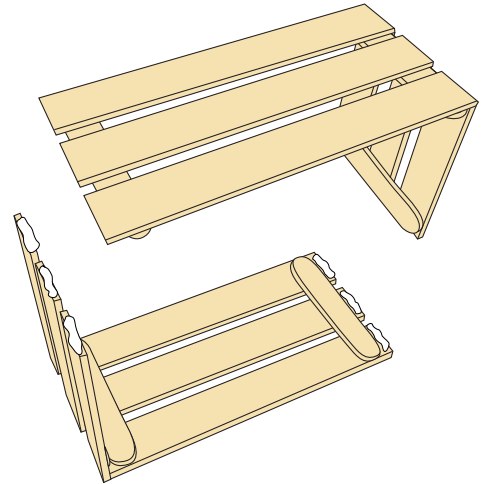
2. Cut three jumbo sticks to 2.75" long. Glue to mini sticks as shown, with no space left on edge. Let dry.



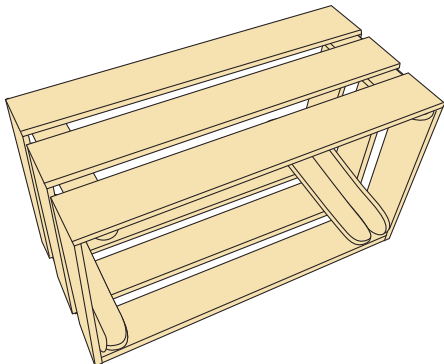
3. Squeeze generous amount of craft glue to end of long panel.



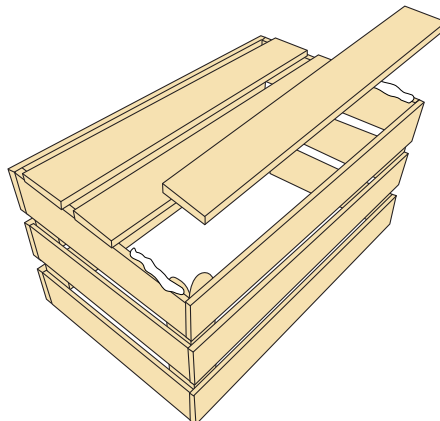
4. Hold short panel in place for a minute or until set and let dry.



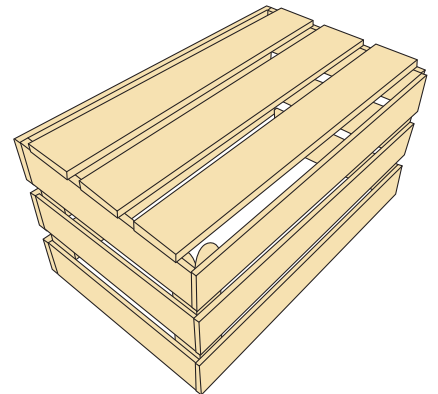
5. Squeeze generous amount of craft glue to ends of both panels as shown.



6. Hold in place for a minute and let dry.



7. Cut three jumbo sticks to 5" long. Glue to ends of open side.



8. Adjust sticks to have equal space in between. Let dry.